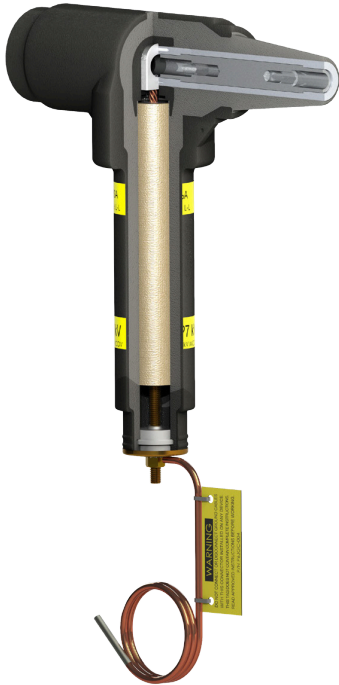


# 35kV R-Stack Surge Arrester



## OVERVIEW

The Prysmian 35kV R-Stack Surge Arrester provides an easy-to-install and reliable means to protect medium voltage equipment and underground cable from voltage surges caused by lightning and switching transients. The 635DBA combines a Deadbreak Elbow Surge Arrester and Deadbreak Connecting Plug, eliminating components and saving time and effort.

The 635DBA utilizes gapless metal oxide varistor technology in a fully shielded, fully submersible peroxide-cured EPDM rubber housing. The 635DBA has a captive fastener which allows for easy installation on standard 35 kV 600A apparatus bushings that meet IEEE Std. 386. The pre-installed 42" #4 AWG braided copper ground lead reliably carries the surge current to ground during a system transient.

## FEATURES

- 100% EPDM Composition
- Injection Molded & Peroxide-Cured
- Made in the USA
- Fully-Shielded/Deadfront
- Submersible
- R-Stack 35kV 600A Deadbreak Male Interface
- R-Stack Fastener (60ft-lb bolted connection)
- Metal Oxide Varistor (MOV) Disk Column

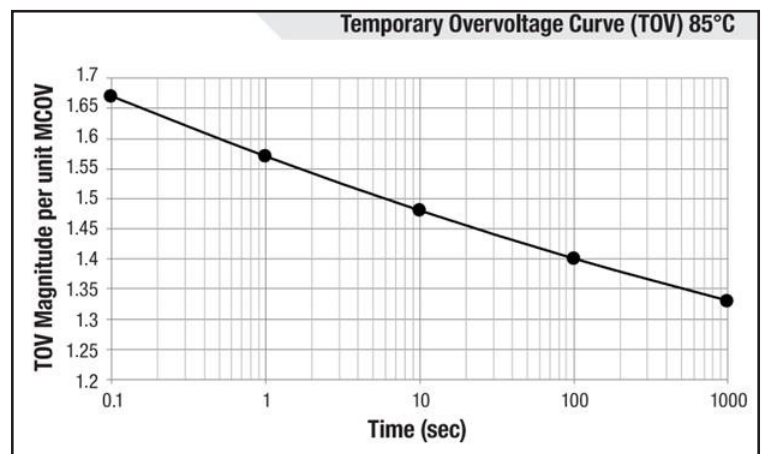
## PRODUCT RATINGS

Voltage Class, Phase-to-Phase	35kV
Corona Voltage Level – (partial discharge extinction voltage)	26kV

Current Ratings (Deadbreak Interfaces)	
Continuous	600A
Short-Time	10kA, 3 sec. & 40kA, 10c

The 35kV R-Stack Surge Arrester is qualified to the following industry standards:

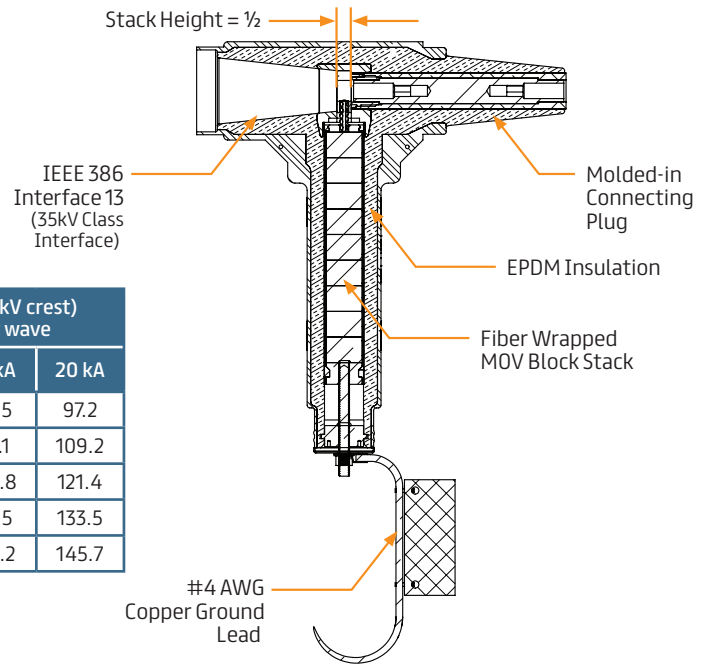
- IEEE Std 386: For Separable Insulated Connector Systems
- IEEE Std C62.11: For Metal Oxide Surge Arresters for AC Power Circuits



# 35kV R-Stack Surge Arrester

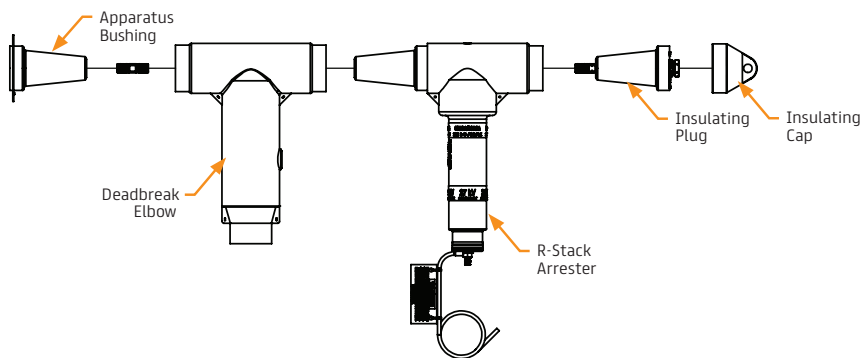
Performance Characteristics	
Arrester Class	Normal Duty
High Current Short Duration	40 kA, 4 x 10 μsec
Low Current Long Duration	75 A, 2000 μsec
Duty Cycle	5 kA, 8 x 20 μsec

Part Number	Duty Cycle Rating (kV)	MCOV (kV)	Equivalent Front-of-Wave (kV crest)	Maximum Discharge Voltage (kV crest) 8 x 20 microsecond current wave				
				1.5 kA	3 kA	5 kA	10 kA	20 kA
635DBA-24	24	19.5	83.1	69.2	73.2	77.7	85.5	97.2
635DBA-27	27	22.0	93.5	77.9	82.3	87.4	96.1	109.2
635DBA-30	30	24.4	103.9	86.5	91.5	97.1	106.8	121.4
635DBA-33	33	26.8	114.3	95.2	100.6	106.8	117.5	133.5
635DBA-36	36	29.0	124.7	103.8	109.8	116.5	128.2	145.7



## INSTALLATION CONFIGURATIONS

### Configuration 1: Arrester Stacked on Elbow



### Configuration 2: Arrester Stacked on Bushing

