

OVERVIEW

The 35kV Deadbreak Junction provides multiple 600 35kV Deadbreak Bushing interfaces (IEEE 386, Interface 13) connected to a common contact. Junctions are commonly installed in enclosures but also can be mounted directly to an underground structure such as the wall of a vault.

They are molded with an Aluminum (600A) contact. Three configurations are available: 2-Position, 3-Position and 4-Position. Kits are available with U-Straps for mounting purposes and 6" spacing between interfaces. For dimensional information, see the last page of this Product Data Sheet.

FEATURES

- Injection Molded & Peroxide-Cured EPDM
- Fully-Shielded/Deadfront
- Designed, Molded, and Tested in the USA

PRODUCT RATINGS

Voltage Ratings	
Maximum Voltage Rating – (phase to ground)	21.1kV
Corona Voltage Level – (partial discharge extinction voltage)	26kV
AC Withstand – (1 minute)	50kV
Impulse-Withstand Voltage – (BIL)	162kV BIL

Continuous Current Ratings	
Aluminum	600A

Short-Time Current Ratings	
Aluminum	40kA, 10c. & 10kA, 3s.

The 35kV Deadbreak Junction is qualified to the following industry standards:

- IEEE Std 386: For Separable Insulated Connector Systems
- ANSI C119.4: For Electric Connectors
- IEEE Std 592: For Exposed Semiconducting Shields

APPLICATIONS

-  Outdoor
-  Vaults
-  Enclosures
-  Direct Bury
-  Submersible

PRODUCTION TESTING

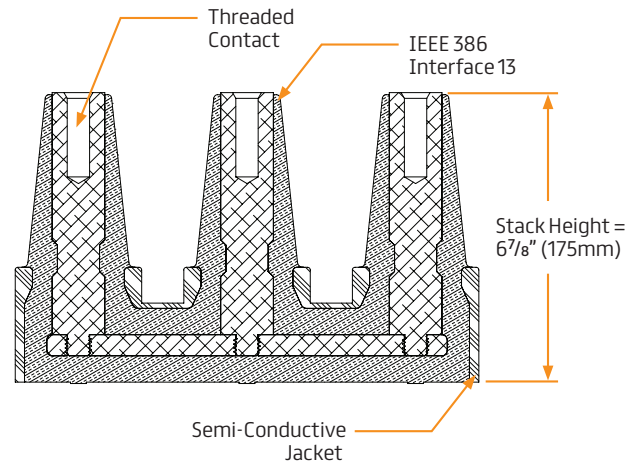
IEEE requires a Partial Discharge test and choice between AC withstand and Impulse.

Prysmian runs 3/3 tests on **ALL** Medium Voltage products governed by IEEE 386.

100% Routine Electrical Test:

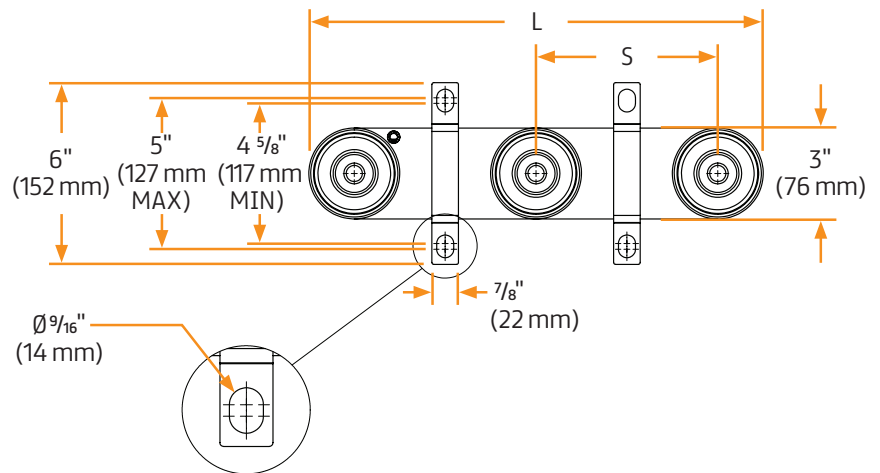
- Partial Discharge
- AC Withstand
- Impulse Withstand

Prysmian Deadbreak Junctions are designed to allow for production testing at 200kV BIL.



Dimensional Chart - U-Straps

Part Number	# of Positions	Spacing (S)	L *
635J2U	2	6"	9"
635J3U	3	6"	15"
635J4U	4	6"	21"



* U Straps for 4" spaced Junctions are available with 5" hole to hole spacing. Contact factory for more information.