



Draka

A brand of the

**Prysmian
Group**

Lifeline® MC Fire Resistive Cable Installation Guide

Recommended Practices

Technical Information Sheet TIS#401

First Edition



lifeline® 

Table of Contents

1.	INTRODUCTION	1
1.1.	Lifeline MC Application.....	1
2.	LIFELINE PRODUCT DATA SHEETS	2-5
	UL 2196 Listed Lifeline MC: Two-Hour Fire Resistive Cables	2-3
	UL 2196 Listed Lifeline MC LSZH: Two-Hour Fire Resistive Cables	4-5
3.	PRODUCT HANDLING	6
3.1.	Handling Reels.....	6
	Figures 1, 2 and 3: Correct and Incorrect Reel Handling	6
3.2.	Storage Conditions	7
3.3.	Removing Cable from Reels.....	7
	Figures 4, 5 and 6: Correct and Incorrect Cable Removable	7
4.	PRE-INSTALLATION	8
4.1.	Pulling Calculations	8
4.1.1.	Maximum Allowable Pulling Tension.....	8
	Table 1: Sidewall Pressure	9
4.1.2.	Estimated Pulling Tension.....	9
	Table 2: Multiplying Factors (M)	10
	Table 3: Friction Factor (F)	10
4.1.3.	Estimated Sidewall Pressure	10
4.1.4.	Back Tension.....	10
4.1.5.	Cable Fill	10
4.1.6.	Minimum Bending Radius	10
	Table 4: Lifeline MC Cables without Jacket – Minimum Bend Radius and Handling Specifications	11
	Table 5: Lifeline MC Cables with LSZH Jacket – Minimum Bend Radius and Handling Specifications	12
4.2.	Installation Equipment.....	13
4.2.1.	Basket Weave Pulling Grips	13
4.2.2.	Pulling Eye	13
4.2.3.	Forming the Conductor into a Loop	13
	Figure 7: Forming the Conductor into a Loop.....	13
4.2.4.	Cable Guides	13
4.3.	Installation Temperature	14
4.4.	Environmental Effects on Installation.....	14
4.5.	Electrical Compatibility Considerations	14
4.6.	Health, Safety and Environmental (HSE)	14



5. INSTALLATION 15

 5.1. General..... 15

 5.2. Cable Support 15

 Figure 8: Transitioning from a Straight Run to a Bend 15

 5.3. Cable Spacing..... 15

 5.4. Induced Currents in Metal Enclosures or Metal Raceways..... 16

 5.5. Pulling..... 16

 5.6. Lubricants 16

 5.7. Electrical Circuit Integrity System..... 16

 5.8. Open Runs/Installation of Cable in Free Air 16

 5.9. Cable Trays 16

 5.10. Installation in Cable Trays..... 17

 5.11. In Concrete 17

 5.12. Cable Splices 17

 5.13. Other Installations..... 17

6. POST INSTALLATION 18

 6.1. General..... 18

 6.2. Terminating Lifeline MC at Electrical Switch Gear/Equipment..... 18

 6.3. Cable Terminating..... 18

 6.3.1. Jacket Removal 19

 Figures 9a, 9b and 10: Jacket Removal 19

 6.3.2. Armor Removal 20

 Figures 11, 12 and 13: Armor Removal 20

 6.3.3. Inner Binder Jacket Removal 20

 Figures 14, 15 and 16: Inner Binder Jacket Removal 20

 6.4. Cable Test 20

USING THIS MANUAL

The information contained herein is intended for evaluation and use by technically skilled and appropriately trained persons. Although the information is believed to be accurate as of the date of printing, Prysmian Group makes no representations or warranties, expressed or implied, with respect to the accuracy or completeness of this document, nor does Prysmian Group assume any obligation to update or correct the same in the future. You should always consult a trained professional for the most current industry practices and procedures unique to your application.

By providing this manual, Prysmian Group makes no representations or warranties, express or implied, with respect to any of its products. Customers should refer to their sales agreements, product specifications, and invoices for all warranty information.

KELLEMS is a trademark of Hubbell Inc.
POLYWATER is a trademark of American Polywater Corporation.
T&B is a trademark of Thomas & Betts International, Inc.

PRYSMIAN GROUP, DRAKA and LIFELINE are trademarks of Prysmian Group.
© 2019. Prysmian Group
Highland Heights, KY 41076
All rights reserved. Printed in USA.

1. INTRODUCTION

This guide provides suggestions for various methods, equipment and tools that have been found practical based on field experience during the installation of Prysmian Group's fire resistive Lifeline® MC and Lifeline® MC LSZH Cable systems in fire-rated applications. The intent of this guide, along with NEC Article 330 and applicable federal, state, and municipal regulations, is to provide guidance for an optimized installation of fire resistive cabling systems. For suggested grips, supports and fasteners, lubricants and pulling eyes, please contact the manufacturers regarding the suitability of their products in the specific applications. It is recognized that each and every installation is different and there will be situations where customized techniques will be required that may be different from those found within this document. For specific installation guidance on your application please contact Prysmian Cables and Systems (US) Inc. at (800) 333-4248 x2600.



1.1. Lifeline MC Application

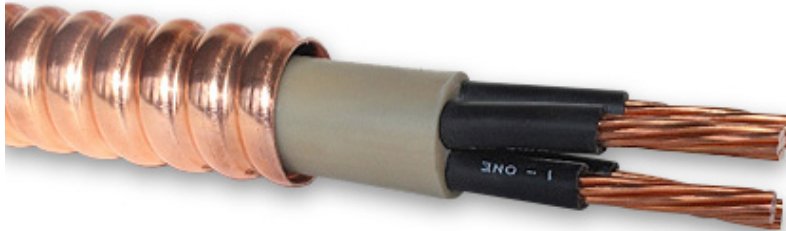
Draka brand Lifeline MC Power Cables are certified and classified to the demanding requirements of UL 2196, *Tests for Fire Resistive Cables*, and are UL Listed Type MC. Lifeline MC Cables meet industry code requirements of NFPA 70, NFPA 101, NFPA 130 and NFPA 502 for fire resistance according to UL Standard 2196 when selected and installed per Electrical Circuit Integrity System FHIT 50, Manufacturer's Technical Instruction Sheet TIS#400; and applicable codes including federal, state, local and municipal rules, laws and regulations. Note that Authorities Having Jurisdiction (AHJ) should be consulted for approval prior to cable purchase and installation.

Lifeline MC Power Cables do not have to be installed in a separate raceway and provide a cost-effective solution for many applications such as emergency tunnel lighting and fire pumps. Conductors within MC Cable are continuously supported and are not subject to requirements of NEC 300.19 for *Vertical Raceways (conduits)*. They are a cost-effective option for vertical power wiring for *Fire Pump Supply Conductors Feeders* and *Fire Pump Generator Control Wiring* methods covered in NEC Article 695. Unlike Mineral Insulated (MI) cables, Lifeline MC can be produced in long continuous lengths, eliminating the need for labor-intensive splices utilizing special expensive tooling and the requisite installation challenges of such. For maximum flexibility in code compliance options, and the most cost-effective options tailored to your specific application, please contact your Prysmian Group sales representative for other fire resistive certified options including cable-in-conduit solutions. Prysmian Group is the only manufacturer in the world who can offer designers and installers UL 2196 Certified solutions covering 600V armored and 600V cable-in-conduit for life-safety code requirements.

2. LIFELINE PRODUCT DATA SHEETS

Lifeline® MC: Two-Hour Fire Resistive Cables

Fire Resistive Cable for Survivability in a Fire



Applications

Lifeline® MC fire resistive cables were designed to meet and have successfully passed the two-hour fire rating certification test per UL 2196, *Standard for Tests for Fire Resistive Cables*.

Lifeline® MC Cables can be used in the following applications to provide survivability during a fire:

- Tall Buildings
- Emergency Feeder Cables
- Stairwell Pressurization
- Elevators / OEO
- Emergency lighting for roadway and transit tunnels when cables include optional LSZH jacket over armor
- Fire Pumps
- Ventilating Fans
- Exit Lighting

Lifeline® MC Cables are preferred over Mineral Insulated (MI) cables, concrete encasement or the construction of fire rated assemblies based on the facts that Lifeline® MC Cables are less costly and easier to install for many applications.

Fire resistive cables are required per NFPA 70/NEC, Articles 517, 695, 700, 708, 728 and 760 as well as NFPA 72 and NFPA 101.



RoHS
COMPLIANT

Specifications and Ratings

- Listed to UL 1569, Metal Clad Cables, as the following type:
- Type MC 600 Volt, Rated 90°C
- For Wet Locations
- For Cable Tray Use IEEE 1202/ FT4 Rated, ST1 Limited Smoke
- Classified to UL 2196, Standard for Tests for Fire Resistive Cables, for two-hours installations
- Electrical Circuit Integrity System (FHIT) No. 50 of the UL Fire Resistance Directory
- NFPA 70, NFPA 101 compliant
- Corrugated Copper Armor meets Equipment Grounding Conductor requirements of NEC Table 250.122

Design Parameters

CONDUCTORS: Bare stranded copper, 14 AWG through 600 kcmil

INSULATION: Ceramifiable Silicone Zero Halogen (LSZH)

INNER BINDER JACKET: Ceramifiable Silicone Zero Halogen (LSZH)

ARMOR: Continuously Welded and Corrugated Copper

IDENTIFICATION:

Lifeline® MC Unjacketed Cables are marked as follows: DRAKA MA P/N [#####] [X]/C [Y] LIFELINE (UL) E66840T MC-ST1 600V 90C WET LOCS FOR CT USE IEEE 1202/FT4 ST1 (UL) R19359 FRR 2HR UL 2196 ELECTRIC CIRCUIT INTEGRITY SYSTEM FHIT#50 480V UTILIZATION (MONTH/YEAR) (SEQUENTIAL FOOTAGE)

- Notes: [#] is cable part number
 [X] is the number of conductors
 [Y] is the size of the cable in AWG or kcmil

Prysmian Group

4 Tesseneer Drive | Highland Heights, KY 41076 | website: na.prysmiangroup.com/lifeline

Sales and Distribution:

22 Joseph E. Warner Blvd. | North Dighton, MA 02764 | +1-508-822-5444



2. LIFELINE PRODUCT DATA SHEETS (cont)

Lifeline® MC: Two-Hour Fire Resistant Cables

Fire Resistant Cable for Survivability in a Fire

Lifeline® MC Power Cable

LIFELINE® Part Number	Conductor Size AWG /MCM	Number of Cond	Nominal Core Diameter (in)	Nominal Armor Diameter (in)	Ampacity* 75°C Amps	Ampacity* 90°C Amps
LMC05014	14	5	0.66	0.97	20**	25**
LMC02012	12	2	0.56	0.85	25**	30**
LMC03012	12	3	0.59	0.91	25**	30**
LMC04012	12	4	0.64	0.97	25**	30**
LMC05012	12	5	0.70	0.97	25**	30**
LMC02010	10	2	0.61	0.85	35**	40**
LMC03010	10	3	0.64	0.97	35**	40**
LMC04010	10	4	0.70	0.97	35**	40**
LMC05010	10	5	0.77	1.08	35**	40**
LMC02008	8	2	0.70	0.97	50	55
LMC03008	8	3	0.75	1.08	50	55
LMC04008	8	4	0.82	1.18	50	55
LMC05008	8	5	0.90	1.26	50	55
LMC02006	6	2	0.78	1.08	65	75
LMC03006	6	3	0.83	1.18	65	75
LMC04006	6	4	0.91	1.26	65	75
LMC05006	6	5	1.00	1.35	65	75
LMC03004	4	3	0.95	1.35	85	95
LMC04004	4	4	1.04	1.35	85	95
LMC05004	4	5	1.15	1.58	85	95
LMC03003	3	3	1.00	1.35	100	115
LMC04003	3	4	1.11	1.40	100	115
LMC03002	2	3	1.07	1.40	115	130
LMC04002	2	4	1.18	1.58	115	130
LMC03001	1	3	1.24	1.73	130	145
LMC04001	1	4	1.37	1.73	130	145
LMC031/0	1/0	3	1.33	1.73	150	170
LMC041/0	1/0	4	1.47	1.85	150	170
LMC032/0	2/0	3	1.41	1.85	175	195
LMC042/0	2/0	4	1.56	1.97	175	195
LMC033/0	3/0	3	1.52	1.97	200	225
LMC043/0	3/0	4	1.69	2.15	200	225
LMC034/0	4/0	3	1.64	2.15	230	260
LMC044/0	4/0	4	1.82	2.28	230	260
LMC03250	250	3	1.81	2.28	255	290
LMC04250	250	4	2.00	2.52	255	290
LMC03350	350	3	2.04	2.52	310	350
LMC04350	350	4	2.26	2.72	310	350
LMC03400	400	3	2.13	2.72	335	380
LMC04400	400	4	2.37	2.83	335	380
LMC03500	500	3	2.31	2.83	380	430
LMC04500	500	4	2.57	3.11	380	430
LMC03600	600	3	2.54	3.11	420	475
LMC04600	600	4	2.83	3.41	420	475

*Ampacities are based on Table 310.15(B)(16) of the National Electrical Code (NEC) (NFPA 70-2017) for 3 current carrying conductors at 30°C ambient.

**Small overcurrent protection limitations per NEC Article 240.4(D): (3) 14AWG – 15amps, (5) 12AWG – 20amps, (7) 10AWG – 30amps

The above dimensions are approximate and subject to normal manufacturing tolerances. Information subject to change

© DRAKA - A Brand of The Prysmian Group. 2018 All Rights Reserved. The information contained within this document must not be copied, reprinted or reproduced in any form, either wholly or in part, without the written consent of Prysmian Group. The information is believed correct at the time of issue. Prysmian Group reserves the right to amend any specifications without notice. These specifications are not contractually valid unless authorized by Prysmian Group. Issued October 2018.

Prysmian Group

4 Tesseneer Drive | Highland Heights, KY 41076 | website: na.prysmiangroup.com/lifeline

Sales and Distribution:

22 Joseph E. Warner Blvd. | North Dighton, MA 02764 | +1-508-822-5444

2. LIFELINE PRODUCT DATA SHEETS (cont)

Lifeline® MC LSZH: Two-Hour Fire Resistive Cables

Fire Resistive Cable for Survivability in a Fire



Applications

Lifeline® MC LSZH fire resistive cables were designed to meet and have successfully passed the two-hour fire rating certification test per UL 2196, *Standard for Tests for Fire Resistive Cables*.

Lifeline® MC LSZH Cables can be used in the following applications to provide survivability during a fire:

- Emergency Feeder Cables
- Ventilating Fans
- Exit Lighting
- Emergency lighting and ventilation for roadway and transit tunnels

Lifeline® MC LSZH Cables are economical options for several life safety fire resistive applications in roadway and tunnel environments with a LSZH jacket to protect against corrosion.

Fire resistive cables are required per NFPA 70, Articles 517, 695, 700, 708, 728 and 760 as well as NFPA 72 and NFPA 101.



RoHS
COMPLIANT

Specifications and Ratings

- Listed to UL 1569, Metal Clad Cables, as the following type:
- Type MC 600 Volt, Rated 90°C
- For Wet Locations
- For Cable Tray Use IEEE 1202/ FT4 Rated, ST1 Limited Smoke
- Sunlight Resistance
- Direct Burial
- Classified to UL 2196, Standard for Tests for Fire Resistive Cables, for two-hours installations
- Electrical Circuit Integrity System (FHIT) No. 50 of the UL Fire Resistance Directory
- NFPA 70, NFPA 101, NFPA 130, NFPA 502 compliant
- Corrugated Copper Armor meets Equipment Grounding Conductor requirements of NEC Table 250.122

Design Parameters

CONDUCTORS: Bare stranded copper, 14 AWG through 600 kcmil

INSULATION: Ceramifiable Silicone Zero Halogen (LSZH)

INNER BINDER JACKET: Ceramifiable Silicone Zero Halogen (LSZH)

ARMOR: Continuously Welded and Corrugated Copper

JACKET: Thermoplastic Flame Resistant LSZH Jacket

IDENTIFICATION:

Lifeline® MC Jacketed Cables are marked as follows: DRAKA MA P/N [#####] [X]/C [Y] LIFELINE (UL) E66840T MC 600V 90C WET LOCS FOR CT USE IEEE 1202/FT4 ST1 SUN RES DIR BUR (UL) R19359 FRR 2HR UL 2196 ELECTRIC CIRCUIT INTEGRITY SYSTEM FHIT#50 480V UTILIZATION (MONTH/YEAR) (SEQUENTIAL FOOTAGE)

Notes: [#] is cable part number

[X] is the number of conductors

[Y] is the size of the cable in AWG or kcmil

Prysmian Group

4 Tesseneer Drive | Highland Heights, KY 41076 | website: na.prysmiangroup.com/lifeline

Sales and Distribution:

22 Joseph E. Warner Blvd. | North Dighton, MA 02764 | +1-508-822-5444



2. LIFELINE PRODUCT DATA SHEETS (cont)

Lifeline® MC LSZH: Two-Hour Fire Resistant Cables

Fire Resistant Cable for Survivability in a Fire

Lifeline® MC LSZH Power Cable

LIFELINE® Part Number	Conductor Size AWC / MCM	Number of Cond	Nominal Core Diameter (in)	Nominal Armor Diameter (in)	Nominal Jacket Diameter (in)	Ampacity* 75°C Amps	Ampacity* 90°C Amps
LMCJ05014	14	5	0.66	0.97	1.07	20**	25**
LMCJ02012	12	2	0.56	0.85	0.95	25**	30**
LMCJ03012	12	3	0.59	0.91	1.01	25**	30**
LMCJ04012	12	4	0.64	0.97	1.07	25**	30**
LMCJ05012	12	5	0.70	0.97	1.07	25**	30**
LMCJ02010	10	2	0.61	0.85	0.95	35**	40**
LMCJ03010	10	3	0.64	0.97	1.07	35**	40**
LMCJ04010	10	4	0.70	0.97	1.07	35**	40**
LMCJ05010	10	5	0.77	1.08	1.18	35**	40**
LMCJ02008	8	2	0.70	0.97	1.07	50	55
LMCJ03008	8	3	0.75	1.08	1.18	50	55
LMCJ04008	8	4	0.82	1.18	1.28	50	55
LMCJ05008	8	5	0.90	1.26	1.36	50	55
LMCJ02006	6	2	0.78	1.08	1.18	65	75
LMCJ03006	6	3	0.83	1.18	1.28	65	75
LMCJ04006	6	4	0.91	1.26	1.36	65	75
LMCJ05006	6	5	1.00	1.35	1.45	65	75
LMCJ03004	4	3	0.95	1.35	1.45	85	95
LMCJ04004	4	4	1.04	1.35	1.45	85	95
LMCJ05004	4	5	1.15	1.58	1.70	85	95
LMCJ03003	3	3	1.00	1.35	1.45	100	115
LMCJ04003	3	4	1.11	1.40	1.50	100	115
LMCJ03002	2	3	1.07	1.40	1.50	115	130
LMCJ04002	2	4	1.18	1.58	1.70	115	130
LMCJ03001	1	3	1.24	1.73	1.85	130	145
LMCJ04001	1	4	1.37	1.73	1.85	130	145
LMCJ031/0	1/0	3	1.33	1.73	1.85	150	170
LMCJ041/0	1/0	4	1.47	1.85	1.97	150	170
LMCJ032/0	2/0	3	1.41	1.85	1.97	175	195
LMCJ042/0	2/0	4	1.56	1.97	2.09	175	195
LMCJ033/0	3/0	3	1.52	1.97	2.09	200	225
LMCJ043/0	3/0	4	1.69	2.15	2.27	200	225
LMCJ034/0	4/0	3	1.64	2.15	2.27	230	260
LMCJ044/0	4/0	4	1.82	2.28	2.43	230	260
LMCJ03250	250	3	1.81	2.28	2.43	255	290
LMCJ04250	250	4	2.00	2.52	2.67	255	290
LMCJ03350	350	3	2.04	2.52	2.67	310	350
LMCJ04350	350	4	2.26	2.72	2.87	310	350
LMCJ03400	400	3	2.13	2.72	2.87	335	380
LMCJ04400	400	4	2.37	2.83	2.98	335	380
LMCJ03500	500	3	2.31	2.83	2.98	380	430
LMCJ04500	500	4	2.57	3.11	3.28	380	430
LMCJ03600	600	3	2.54	3.11	3.28	420	475
LMCJ04600	600	4	2.83	3.41	3.58	420	475

*Ampacities are based on Table 310.15(B)(16) of the National Electrical Code (NEC) (NFPA 70-2017) for 3 current carrying conductors at 30°C ambient.

**Small overcurrent protection limitations per NEC Article 240.4(D): (3) 14AWG – 15amps, (5) 12AWG – 20amps, (7) 10AWG – 30amps

The above dimensions are approximate and subject to normal manufacturing tolerances. Information subject to change

© DRAKA - A Brand of The Prysmian Group. 2018 All Rights Reserved. The information contained within this document must not be copied, reprinted or reproduced in any form, either wholly or in part, without the written consent of Prysmian Group. The information is believed correct at the time of issue. Prysmian Group reserves the right to amend any specifications without notice. These specifications are not contractually valid unless authorized by Prysmian Group. Issued October 2018.

Prysmian Group

4 Tesseneer Drive | Highland Heights, KY 41076 | website: na.prysmiangroup.com/lifeline

Sales and Distribution:

22 Joseph E. Warner Blvd. | North Dighton, MA 02764 | +1-508-822-5444

3. PRODUCT HANDLING

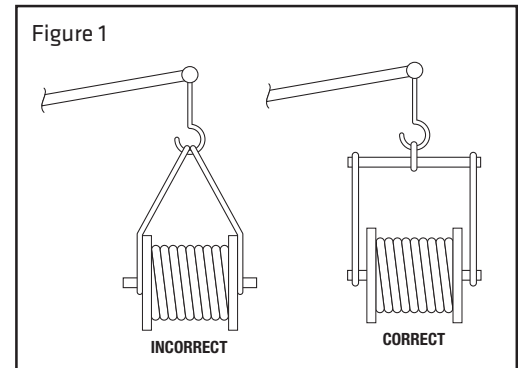
Lifeline® MC cables are durable high-quality products relatively unaffected by ambient conditions. The instructions of this section should be followed to prevent damage during storage or installation.

3.1. Handling Reels

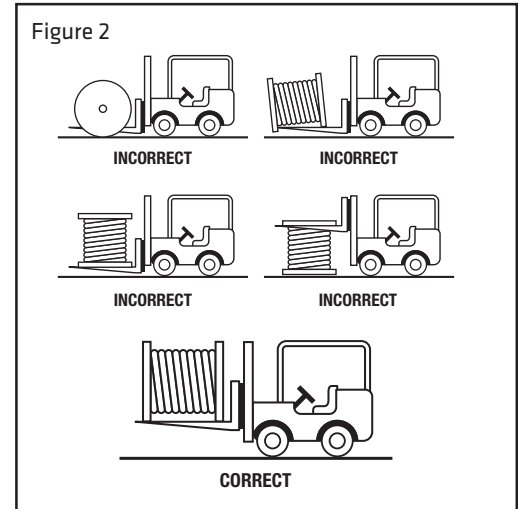
Upon receiving, and before acceptance of a shipment, all reels should be visually inspected for evidence of damage during shipment. Damage such as broken or interlocked flanges, damaged wrapping or lagging, reels broken loose from their ties or blocking, etc. Any signs of such damage should immediately be reported to the carrier. If the protective wrapping or lagging is removed to inspect for possible damage during shipment, it should be replaced prior to placing the reel into long term storage.

When moving cable reels, care should be taken to ensure material handling equipment does not contact cable surfaces or protective covering on reel. Under no circumstances should cable reels be dropped from any height, or be allowed to roll uncontrolled.

1. For cranes, booms or other overhead lifting equipment, a heavy steel arbor or suitable heavy rod or pipe should be inserted through the reel hubs so that the cable reel can be lifted by slings utilizing a spreader bar or a lifting yoke. This method will reduce risk of damage or injury caused by sling pressure against a reel flange, tipping of the reel, slipping of the sling, and other unbalanced situations. (Figure 1).

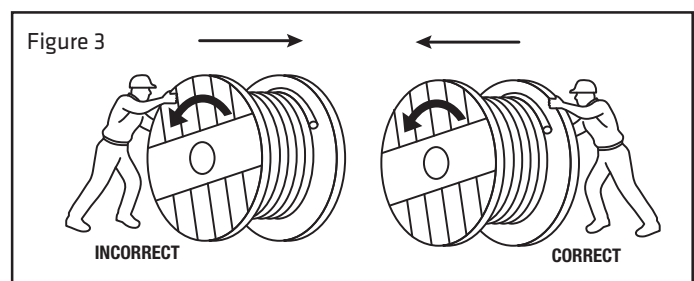


2. When lifting reels by fork truck, reels should only be lifted from sides, and only with blades of the fork truck under and cradling both flanges. This method will ensure that the lift pressure is equally distributed on both flanges and not on the cable itself (Figure 2).



3. Rolling reels containing cable should be kept to a minimum; if rolling is necessary, reels should always be rolled in the direction opposite to which the cable is wrapped onto reel as shown in Figure 3. This procedure will prevent loosening of cable on reel which may result in problems during installation.

4. The path over which the cable reels are to be rolled must be clear of any debris, which might damage the cable if the reels were to roll over it. Cable reels unloaded down ramps should be rolled in a controlled manner. Ramps must be of a gradual descent, spaced parallel and wide enough to ensure contact with both reel flanges throughout unloading.



3. PRODUCT HANDLING (cont)

3.2. Storage Conditions

Reels should be stored in an area reserved for this purpose. The location must be accessible to forklifts and trucks, but removed from areas of constant traffic. If available space prohibits separation, suitable barriers should be erected to prevent damage from moving equipment. Reels must be stored in an area where they cannot be damaged by falling objects, chemical spills including oil and grease, open flames or welding operations, and excessive heat.

It is also advisable to secure the designated area to prevent theft or vandalism.

Whenever possible, reels should be stored indoors to provide maximum protection. However, a controlled environment is not required. If the cable must be stored outside, the reels should be placed on a hard, well-drained surface that will prevent the reel flanges sinking into it and allowing the weight of cable and reel to rest on the cable surface. It is recommended, but not required, that non-jacketed cable intended for storage longer than six months have overhead protection or be covered with a suitable material such as canvas or opaque polyethylene to avoid prolonged exposure to weather.

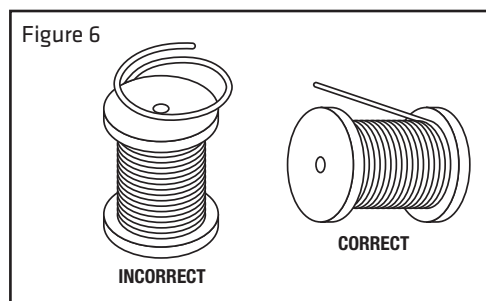
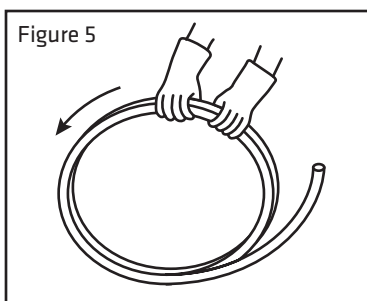
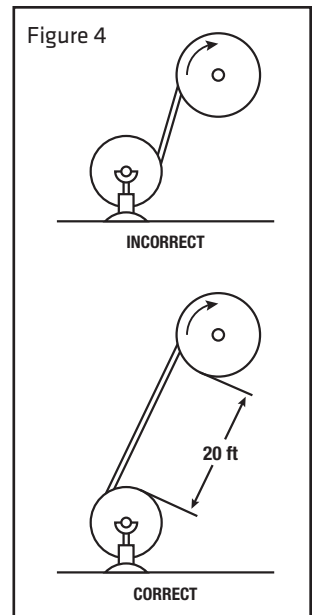
If a portion of the cable is used, the open end of cable remaining on reel should immediately be re-sealed in manner equivalent to the factory seal to prevent entrance of moisture. After re-sealing, the cut end should be secured to reel flange to prevent damage during reel movement.

Reels should always be stored with their flanges vertical. They must not be stored on their sides or stacked one on top of another. Care should be taken to prevent reels rolling into one another where flange of one reel hits the surface of cable on another reel. Reel flanges should be chocked to prevent movement.

3.3. Removing Cable from Reels

Considerable care must be exercised in uncoiling or unreeling Lifeline MC cables since their performance is substantially influenced by the way in which they are handled. Reverse bending or twisting can cause internal damage or kinking of the armor which can adversely affect the life of the cable. Reels should be placed on jacks or stands with a bar through the arbor holes. This will allow the reel to be turned easily, and the cable to be payed-off. Cables can be payed-out from the bottom or the top of the reel, but if they are to be removed from a shipping reel to be installed on another reel, they should be payed-out in such a manner as to follow the natural cast in the cable. Reverse bending should be avoided (Figure 4).

If possible, the distance between pay-off reel and take-up reel should be at least 20 feet to allow the cable to straighten before it is taken up on the application reel. The cable should be evenly distributed across the whole width of the take-up reel. The take-up reel must be clean and solid. Cable in coils should be handled in a similar manner. This can be achieved by supporting the coil in a vertical plane and rotating it by hand as the cable is carefully uncoiled (Figure 5). The cable should never be pulled over the flange of a reel, or pulled off the side of a coil, since this will introduce a twist in the cable (Figure 6).



4. PRE-INSTALLATION

This section provides information needed to prepare for cable installation. The recommendations should be followed to ensure Lifeline MC Cable is successfully installed.

4.1. Pulling Calculations

During installation, cables will be subjected to stresses due to bend radius, sidewall pressure, and pulling tension. These stresses are endured during installation and are reduced after installation. The primary cause of these forces are cable weight and friction between cable and contact surfaces.

Factors that need to be considered before installation work is carried out are:

- Cable weight
- Maximum allowable pulling tension
- Estimated pulling tension
- Estimated sidewall pressure
- Back tension
- Cable tray fill, if applicable
- Minimum bending radius

4.1.1. Maximum Allowable Pulling Tension

The maximum allowable pulling tension on cable is the lowest tension value from one of the following three tension limits:

A) Conductor Tensile Strength

Maximum pulling tension due to conductor tensile strength is provided in Tables 4 and 5 (pp. 11 & 12) for each of the Lifeline MC products. This calculation assumes cable connection method transfers all forces to cable conductors. Tension values in Tables 4 and 5 are for single cable pulls calculated using the following formula.

$$T_c = K \times F \times kcmilT$$

T_c = Maximum allowable tension based on conductor tensile strength (pounds)

K = Factor based on material strength with a safety margin; 8 for annealed copper

F = Factor to account for possible unequal tension distribution; 1 for a single multi-conductor cable, 0.8 for more than one multi-conductor cables, and 0.6 for multiple cables with unequal conductor sizes.

$kcmilT$ = The sum of the circular mil area of all conductors in thousand circular mils (kcmil)

B) Sidewall Pressure

Maximum pulling tension due to sidewall pressure is only applicable when pulling cables around a bend. Radial force is exerted on armor, inner binder jacket, and insulation as cable is pressed against inner arc of bend. Sidewall pressure is expressed in pounds per foot of radius. The maximum recommended values for Lifeline MC Cables are 400 lbs/ft with 10 times cable diameter pulling radius and 300 lbs/ft with 7 times cable diameter training radius. See maximum tension values in Table 1 (p. 9). Note that sheave inner diameter is equal to 2 times cable bending radius; make sure sheave radius is not less than minimum bending radius of the cable.

$$T_p = SWP \times R$$

T_p = Maximum allowable tension which will not exceed the sidewall pressure limit in pounds

SWP = Sidewall pressure limit in pounds per foot

R = Radius of bend in feet

C) Method of Connection to the Cable

Method of connection to cable can also be a limiting factor for maximum allowable pulling tension. When pulling using a pulling eye or bolt, a maximum tension limit is typically 10,000 lbs. However, this is dependent on the method of application and bolt/eye limit. A basket weave grip is typically limited to 2000 lbs. Review grip manufacturer's recommendations for connection method being used.

4. PRE-INSTALLATION (cont)

Table 1: Side Wall Pressure

Sheave Inner Diameter (In)	Maximum Tension Based on SWP Limit (lbs)	
	SWP = 400 lbs/ft	SWP = 300 lbs/ft
10	167	125
12	200	150
15	250	188
18	300	225
20	333	250
25	417	313
28	467	350
30	500	375
35	583	438
40	667	500
42	700	525
45	750	563
48	800	600
50	833	625
55	917	688
60	1000	750
65	1083	813

4.1.2. Estimated Pulling Tension

As a precaution before cable pulling has begun, an estimated pulling tension calculation should be carried out. These estimated values can determine if the maximum allowable pulling tension is being exceeded during the operation.

The estimated pulling tension of one cable in a straight section of raceway may be calculated from the following formula:

$$T = L \times W \times K$$

- T = Estimated pulling tension in pounds
- L = Length of installation in feet
- W = Weight of cable in pounds per foot
- K = Coefficient of friction*

* Values used for coefficient of friction can vary from 0.1 to 0.8 depending upon many factors. A value of 0.5 is generally used in calculations. Tray installations over well lubricated sheaves may use a value of 0.1.

Estimated pulling tension of a cable for an inclined section may be calculated using the following formula, where prior tension is the tension at beginning of incline and multiplying factor (M) is tabulated below.

$$T = L \times W \times M + (\text{prior tension})$$

Note, short downward bends may be neglected.

- L = Length of installation in feet
- W = Weight of cable in pounds per foot
- M = Multiplying Factor - tabulated in Table 2 (p. 10) for Coefficient of friction (K)

To calculate the tension around a bend, the following formula should be used:

$$T = T_1 \times F$$

- T = Tension coming out of the bend in pounds
- T₁ = Accumulated tension going into the bend in pounds
- F = Friction factor for various values of coefficient of friction (K) and bends as shown in Table 3 (p. 10)

4. PRE-INSTALLATION (cont)

Table 2: Multiplying Factor (M)

K	Angle from Horizontal in Degrees					
	15	30	45	60	75	90
0.1	0.36	0.59	0.78	0.92	0.99	1.00
0.2	0.45	0.67	0.85	0.97	1.02	1.00
0.3	0.55	0.76	0.92	1.02	1.04	1.00
0.4	0.65	0.85	0.99	1.07	1.07	1.00
0.5	0.74	0.93	1.06	1.12	1.10	1.00

Table 3: Friction Factor (F)

K	Angle of Bend in Degrees					
	15	30	45	60	75	90
0.1	1.03	1.05	1.08	1.11	1.14	1.17
0.2	1.03	1.11	1.17	1.23	1.30	1.37
0.3	1.08	1.17	1.27	1.37	1.48	1.60
0.4	1.11	1.23	1.37	1.52	1.69	1.87
0.5	1.14	1.30	1.48	1.69	1.92	2.19

4.1.3 Estimated Sidewall Pressure

The sidewall pressure acting upon a single cable at a bend may be estimated from the following equation:

$$P = T/R$$

P = Sidewall pressure on the cable in pounds per foot

T = Estimated tension out of the bend in pounds

R = Radius of the bend in feet

4.1.4 Back Tension

Back tension is force required to pull cable off reel drum. This is normally assumed to be zero since cable is fed off reel. Light braking may be applied to control unreeling to avoid feeding at an excessive rate. Braking should be applied only to prevent reel over-run when pull is slowed, stopped, or declining installations where cable weight is enough to overcome cable-duct friction.

4.1.5 Cable Tray Fill

Cable trays should not be loaded beyond their maximum capacity. Follow NEC and local code requirements as required. See Article 392 of the NEC for maximum fill in cable trays. For ampacity derating, consult the NEC and applicable ICEA standards.

4.1.6 Minimum Bending Radius

The minimum bending radius for Lifeline MC cable is defined in two conditions.

1. The minimum pulling radius is used when cable under tension and being pulled around a bends during installation is 10 times the cable diameter.
2. The minimum training radius, used when cable is not under tension, and when cable is in final installation position is 7 times the cable diameter in accordance with NEC Article 330.

During installation and handling, the bend radius should be kept as large as possible using a sheave equal to or greater than cable minimum bending radius.

Table 4: Lifeline MC Cables without Jacket

Part Number	Conductor Size	Equivalent Circular Mil Area	Number of Conductors	Nom. Core Diameter	Nom. Armor Diameter	Cable Weight	Minimum Bending Radius Training	Minimum Bending Radius Pulling	Maximum Allowable Pulling Tension
	AWG or MCM	(kcmil)	(No.)	(In)	(In)	(lbs/mft)	(In)	(In)	(lbs)
LMC05014	14	4.11	5	0.66	0.97	556	6.79	9.7	164
LMC02012	12	6.53	2	0.56	0.85	488	5.95	8.5	104
LMC03012	12	6.53	3	0.59	0.91	539	6.37	9.1	157
LMC04012	12	6.53	4	0.64	0.97	602	6.79	9.7	209
LMC05012	12	6.53	5	0.70	0.97	665	6.79	9.7	261
LMC02010	10	10.38	2	0.61	0.91	535	6.37	9.1	166
LMC03010	10	10.38	3	0.64	0.97	615	6.79	9.7	249
LMC04010	10	10.38	4	0.70	0.97	670	6.79	9.7	332
LMC05010	10	10.38	5	0.77	1.08	801	7.56	10.8	415
LMC02008	8	16.51	2	0.70	0.97	667	6.79	9.70	264
LMC03008	8	16.51	3	0.75	1.08	764	7.56	10.8	396
LMC04008	8	16.51	4	0.82	1.18	896	8.26	11.8	528
LMC05008	8	16.51	5	0.90	1.26	1.041	8.82	12.6	660
LMC02006	6	26.24	2	0.78	1.08	804	7.56	10.8	420
LMC03006	6	26.24	3	0.83	1.18	928	8.26	11.8	630
LMC04006	6	26.24	4	0.91	1.26	1.083	8.82	12.6	840
LMC05006	6	26.24	5	1.00	1.35	1.275	9.45	13.5	1050
LMC03004	4	41.74	3	0.95	1.35	1.190	9.45	13.5	1002
LMC04004	4	41.74	4	1.04	1.35	1.366	9.45	13.5	1336
LMC05004	4	41.74	5	1.15	1.58	1.787	11.06	15.8	1670
LMC03003	3	52.62	3	1.00	1.35	1.319	9.45	13.5	1263
LMC04003	3	52.62	4	1.11	1.40	1.560	9.8	14.0	1684
LMC03002	2	66.36	3	1.07	1.40	1.494	9.8	14.0	1593
LMC04002	2	66.36	4	1.18	1.58	1.949	11.06	15.8	2124
LMC03001	1	83.69	3	1.24	1.73	1.319	12.11	17.3	2009
LMC04001	1	83.69	4	1.37	1.73	2.403	12.11	17.3	2678
LMC031/0	1/0	105.6	3	1.33	1.73	2.307	12.11	17.3	2534
LMC041/0	1/0	105.6	4	1.47	1.85	2.805	12.95	18.5	3379
LMC032/0	2/0	133.1	3	1.41	1.85	2.697	12.95	18.5	3194
LMC042/0	2/0	133.1	4	1.56	1.97	3.272	13.79	19.7	4259
LMC033/0	3/0	167.8	3	1.52	1.97	3.149	13.79	19.7	4027
LMC043/0	3/0	167.8	4	1.69	2.15	3.898	15.05	21.5	5370
LMC034/0	4/0	211.6	3	1.64	2.15	3.742	15.05	21.5	5078
LMC044/0	4/0	211.6	4	1.82	2.28	4.606	15.96	22.8	6771
LMC03250	250	250	3	1.81	2.28	4.335	15.96	22.8	6000
LMC04250	250	250	4	2.00	2.52	5.428	17.64	25.2	8000
LMC03350	350	350	3	2.04	2.52	5.528	17.64	25.2	8400
LMC04350	350	350	4	2.26	2.72	6.919	19.04	27.2	11,200**
LMC03400	400	400	3	2.13	2.72	6.289	19.04	27.2	9600
LMC04400	400	400	4	2.37	2.83	7.828	19.81	28.3	12,800**
LMC03500	500	500	3	2.31	2.83	7.403	19.81	28.3	12,000**
LMC04500	500	500	4	2.57	3.11	9.373	21.77	31.1	16,000**
LMC03600	600	600	3	2.54	3.11	8.833	21.77	31.1	14,400**
LMC04600	600	600	4	2.83	3.41	11.204	5.32	35.8	19,200**

*Maximum Allowable Pulling Tension calculated using F=1 for single cable.

** Do not exceed pulling attachment limit.



Table 5: Lifeline MC Cables with LSZH Jacket

Part Number	Conductor Size	Equivalent Circular Mil Area	Number of Conductors	Nom. Core Diameter	Nom. Armor Diameter	Nom. Overall Cable Diameter	Cable Weight	Minimum Bending Radius Training	Minimum Bending Radius Pulling	Maximum Allowable Pulling Tension
	AWG or MCM	(kcmil)	(No.)	(In)	(In)	(In)	(lbs/mft)	(In)	(In)	(lbs)
LMCJ05014	14	4.11	5	0.66	0.97	1.07	661	7.49	10.7	164
LMCJ02012	12	6.53	2	0.56	0.85	0.95	593	6.65	9.5	104
LMCJ03012	12	6.53	3	0.59	0.91	1.01	660	7.07	10.1	157
LMCJ04012	12	6.53	4	0.64	0.97	1.07	720	7.49	10.7	209
LMCJ05012	12	6.53	5	0.70	0.97	1.07	783	7.49	10.7	261
LMCJ02010	10	10.38	2	0.61	0.91	1.01	640	7.07	10.1	166
LMCJ03010	10	10.38	3	0.64	0.97	1.07	734	7.49	10.7	249
LMCJ04010	10	10.38	4	0.70	0.97	1.07	788	7.49	10.7	332
LMCJ05010	10	10.38	5	0.77	1.08	1.18	932	8.26	11.8	415
LMCJ02008	8	16.51	2	0.70	0.97	1.07	785	7.49	10.7	264
LMCJ03008	8	16.51	3	0.75	1.08	1.18	896	8.26	11.8	396
LMCJ04008	8	16.51	4	0.82	1.18	1.28	1,039	8.96	12.8	528
LMCJ05008	8	16.51	5	0.90	1.26	1.36	1,193	9.52	13.6	660
LMCJ02006	6	26.24	2	0.78	1.08	1.18	935	8.26	11.8	420
LMCJ03006	6	26.24	3	0.83	1.18	1.28	1,071	8.96	12.8	630
LMCJ04006	6	26.24	4	0.91	1.26	1.36	1,235	9.52	13.6	840
LMCJ05006	6	26.24	5	1.00	1.35	1.45	1,437	10.15	14.5	1,050
LMCJ03004	4	41.74	3	0.95	1.35	1.45	1,352	10.15	14.5	1,002
LMCJ04004	4	41.74	4	1.04	1.35	1.45	1,529	10.15	14.5	1,336
LMCJ05004	4	41.74	5	1.15	1.58	1.70	1,976	11.90	17.0	1,670
LMCJ03003	3	52.62	3	1.00	1.35	1.45	1,482	10.15	14.5	1,263
LMCJ04003	3	52.62	4	1.11	1.40	1.50	1,728	10.50	15.0	1,684
LMCJ03002	2	66.36	3	1.07	1.40	1.50	1,662	10.50	15.0	1,593
LMCJ04002	2	66.36	4	1.18	1.58	1.70	2,174	11.90	17.0	2,124
LMCJ03001	1	83.69	3	1.24	1.73	1.85	2,305	12.95	18.5	2,009
LMCJ04001	1	83.69	4	1.37	1.73	1.85	2,648	12.95	18.5	2,678
LMCJ031/0	1/0	105.6	3	1.33	1.73	1.85	2,552	12.95	18.5	2,534
LMCJ041/0	1/0	105.6	4	1.47	1.85	1.97	3,067	13.79	19.7	3,379
LMCJ032/0	2/0	133.1	3	1.41	1.85	1.97	2,959	13.79	19.7	3,194
LMCJ042/0	2/0	133.1	4	1.56	1.97	2.09	3,550	14.63	20.9	4,259
LMCJ033/0	3/0	167.8	3	1.52	1.97	2.09	3,427	14.63	20.9	4,027
LMCJ043/0	3/0	167.8	4	1.69	2.15	2.27	4,201	15.89	22.7	5,370
LMCJ034/0	4/0	211.6	3	1.64	2.15	2.27	4,044	15.89	22.7	5,078
LMCJ044/0	4/0	211.6	4	1.82	2.28	2.43	4,927	17.01	24.3	6,771
LMCJ03250	250	250	3	1.81	2.28	2.43	4,656	17.01	24.3	6,000
LMCJ04250	250	250	4	2.00	2.52	2.67	5,865	18.69	26.7	8,000
LMCJ03350	350	350	3	2.04	2.52	2.67	5,965	18.69	26.7	8,400
LMCJ04350	350	350	4	2.26	2.72	2.82	7,389	19.74	28.2	11,200**
LMCJ03400	400	400	3	2.13	2.72	2.82	6,759	19.74	28.2	9,600
LMCJ04400	400	400	4	2.37	2.83	2.98	8,317	20.86	29.8	12,800**
LMCJ03500	500	500	3	2.31	2.83	2.98	7,892	20.86	29.8	12,000**
LMCJ04500	500	500	4	2.57	3.11	3.28	9,978	22.96	32.8	16,000**
LMCJ03600	600	600	3	2.54	3.11	3.28	9,438	22.96	32.8	14,400**
LMCJ04600	600	600	4	2.83	3.41	3.58	11,865	25.06	35.8	19,200**

*Maximum Allowable Pulling Tension calculated using F=1 for single cable.

** Do not exceed pulling attachment limit.

4. PRE-INSTALLATION (cont)

4.2. Installation Equipment

The following recommendations should be followed whenever cables are to be pulled into conduits, ducts, or cable trays. This will increase the likelihood of a successful pull; however, these recommendations cannot cover every situation which might be encountered.

4.2.1. Basket Weave Pulling Grips

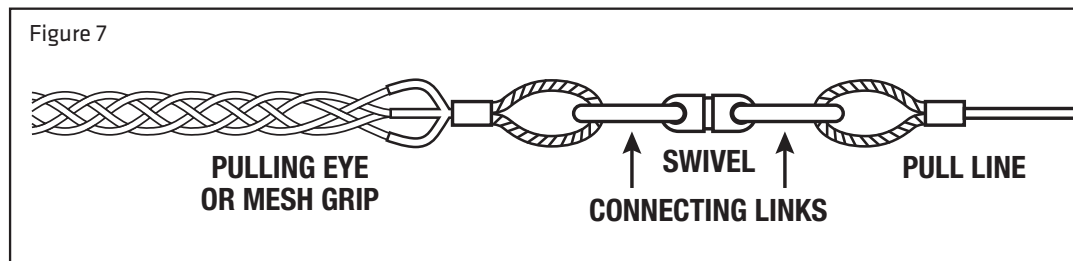
This is a device consisting of a woven metal mesh with loops at one end for attachment to the pulling line that grip tighter as pulling tension increases - such as Kellems® grips. They are generally used with light to medium weight copper cables on relatively short pulls. When pulling armored cables, these grips should be used in conjunction with pulling eye to prevent armor pullback.

4.2.2. Pulling Eye

Pulling eyes are connected directly to the conductors. Commercially available eyes are generally applied by crimping to conductor which necessitates matching eye and crimping dies with each range of wire size to be pulled. One type of eye, the wedge-type, is reusable except for inexpensive disposable wedge. Medium to heavy cables and/or long pulling lengths will require use of pulling eyes.

4.2.3. Forming the Conductor into a Loop

This method may be used for all types of pulls. However, care must be taken to ensure loop will withstand the tension required to pull cable. To avoid rotational torsion when pulling, a swivel should be used with the pulling device (Figure 7).



4.2.4. Cables Guides

To avoid abrasion and damage of the cable jacket or armor when guiding the cable from the reel to installation, all guides should be smooth-surfaced, free-turning sheaves, or rollers. If guide tubes or chutes must be used, they should have smooth, burr-free surfaces, well flared entrances, largest possible bend radii, and be securely anchored. Cable tension through guides should be kept to minimum by mounting cable reel on sturdy jacks, leveling reel shaft, and lubricating reel arbor holes and shaft with grease. The following points should be carefully observed when pulling cable:

1. Cable support rollers should be spaced close enough so cable sag with tension applied will not result in dragging on tray. Cable rollers or sheaves should be flanged or contoured so cable will not ride off edge of roller, or be pinched into a sheave contour diameter that is smaller than that of the cable.
2. Where rollers/sheaves are used to guide cable through bends, it is essential to use a sufficient number to support and guide cable in a smooth curve of desired radius from tangent point to tangent point; otherwise cable will be "kinked" around the radius of each roller.

In direct-burial installations cable may be paid off reel and laid into trench as reel is moved along length of trench. In such cases cable is simply laid on bed of screened soil or sand. Where cable must be pulled through a trench, the preferred method is to support cable on temporary rollers so cable does not drag over the soil or sand bed. If rollers are not available, sacks filled with fine sand or other fine powdery material may be used to support the cable and keep it from dragging on trench bed during pulling.

4. PRE-INSTALLATION (cont)

4.3. Installation Temperature

Low temperatures create varying degrees of handling and pulling difficulties depending on cable construction and installation conditions. Installation at low temperatures require special consideration of cold-induced stiffness of cable when choosing radii and number of bends, and estimated pulling tension. Most cables can be safely handled at temperatures greater than -10°C (14°F). It is not recommended to install the Lifeline MC LSZH Jacketed Cable in temperatures below -10°C. The Lifeline MC Cable without jacket should not be installed in temperatures below -50°C (-58°F). During cold weather installations, cable should be pulled more slowly. The cable should not be impacted, dropped, kinked, or bent sharply.

4.4. Environmental Effects on Installation

Cable should not be installed close to heat sources that may reduce cable life. When installing cable in areas where ambient temperature is greater than 30°C, the ampacity rating is reduced. Refer to NEC Table 310.15(B)(2)(a) for ampacity correction factors for installations at ambient temperatures other than 30°C. When installing in corrosive environments, Lifeline MC with a LSZH jacket cable should be used. When transitioning between two structurally separated supports, cable slack should be provided to avoid disfigurement due to mechanical strain. Terminating materials must be compatible with cable and terminations must be made in a clean environment.

4.5. Electrical Compatibility Considerations

1. Metallic sheath must be properly grounded.
2. Cables should be arranged in such manner that induced currents will not cause the heating of the surrounding metal.

4.6. Health, Safety and Environmental (HSE)

Personal protection devices should be used following OSHA and other applicable regulations to avoid personal injury.

All tools should be checked before use to ensure proper functioning and safety. Tools must be suitable for the application and sized accordingly.

Waste disposal during and after installing the cable system must be in accordance with applicable waste management, recycling, environmental protection, and hazardous materials regulations.

5. INSTALLATION

5.1. General

Lifeline MC can be installed and supported in accordance with NEC Article 330 and applicable federal, state, and municipal regulations similar to non-fire-resistive Metal Clad (MC) cable, including direct buried in accordance with NEC Article 330. For code compliant fire resistive installations Lifeline MC Cable must be installed according to UL Electrical Circuit Integrity System FHIT 50 where the following requirements must be observed:

1. Securing and Supporting Spacing – Code compliant two-hour fire resistive installation in both horizontal and vertical orientations requires cable be secured and supported at intervals not exceeding four feet (48 inches), at each side of cable bends, and within one foot (12 inches) of cable connector terminations. Noted exception: support spacing described above is in lieu of support spacing allowed in the National Electric Code and is required for compliant two-hour fire resistive installation.
2. Supports and Fasteners – Cables shall be secured to supports using steel two-piece single-bolt pipe clamps such as T&B 703 series. Supports shall be steel components or other fire rated components (described in FHIT 50) proven to meet the required fire resistance ratings. No substitute components are allowed.
3. Lifeline MC LSZH jacketed products are permitted for direct burial installations and embedding in concrete.
4. Lifeline MC and MC LSZH are not permitted for use where subject to physical damage.

5.2. Cable Support

In non-fire rated installation areas, Lifeline MC can be supported and secured by staples, cable ties, straps, hangers, or similar fittings or other approved means designed and installed so as not to damage the cable. In non-fire rated installations, the Lifeline MC can be secured at intervals not exceeding 6 ft. For fire rated areas, see limits described in UL System 50. To comply with UL System FHIT 50, runs of Lifeline MC need to be supported using a 2-piece clamp at intervals not exceeding 4 ft.

When transitioning from a straight run to a bend supports are required at start and end of bend as shown in Figure 8.

Cables shall be secured within 12 inches of boxes, cabinets, fittings or other cable terminations.

If necessary straighten by hand, do not use tools such as a hammer or screwdriver, since this may damage armor or outer jacket.

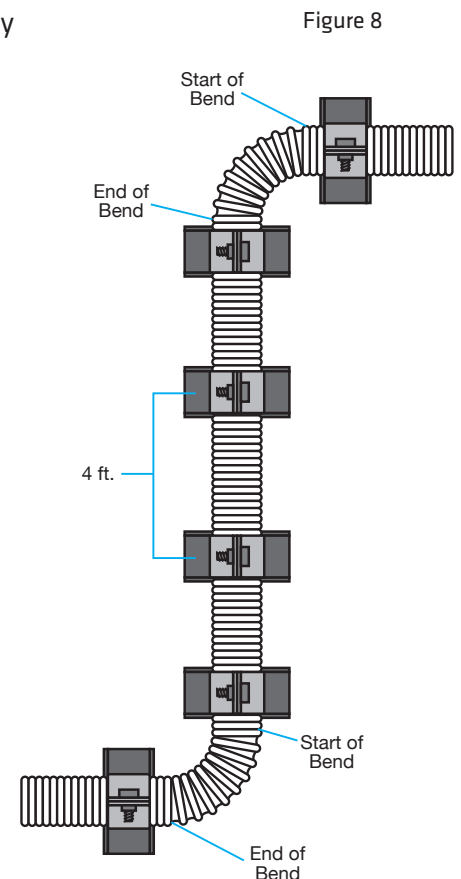
Make sure the minimum bend radius is observed, reference Table 4 and 5 (pp. 11 & 12) for minimum bending radii for Lifeline MC Cables. Do not try to make entire bend in one movement as kinking of cable armor is possible. Bend in small increments. Shape into final position gradually.

When bending multiple cables at same location shape inner cable first and form other cables out from first inner cable.

Cables should not be under tension after installation. Slack is desirable in the region of the terminations. In open installations cable must be adequately supported to prevent undue strain on cable and termination.

5.3. Cable Spacing

When multiple multi-conductor cables are installed, spacing should be sufficient to address ampacity requirements (generally one cable diameter apart at minimum) or reduced in ampacity rating in accordance with NEC.



5. INSTALLATION (cont)

5.4. Induced Currents in Metal Enclosures or Metal Raceways

Where conductors carrying alternating current are installed in ferrous metal enclosures or ferrous metal raceways, conductor shall be arranged to avoid inductive heating of surrounding ferrous metal. To accomplish this, all phase conductors and, where used, the grounded conductor and all equipment grounding conductors shall be grouped together.

5.5. Pulling

Set up to pull the total length of the run if possible. Position sheaves and pulling ropes so cable will move freely during the pulling operation. Attach pulling line to cable by suitable means. Cable armor should be fastened to pulling line and/or the conductors to prevent separate movement of the conductors and armor. Use supplementary pulling lines with luffing grips as applicable. Cable should be pulled straight off the reel. Use light back pressure on reel to avoid reverse bending or overrunning as cable leaves the reel. Maintain a steady speed during pulling operation of up to 20-25 feet per minute and slower as needed for steady pull. Avoid stops and starts as much as possible. Adjust the pulling speed as needed to eliminate surging. When pulling around a bend, use as large a radius as possible and keep curves long and smooth. For difficult pulls involving several bends or changes in elevation, a jacketed cable is recommended for additional mechanical protection.

5.6. Lubricants

When cables are pulled in contact with a stationary surface, friction at these points cause an increase in the tension required to install the cable. LSZH lubrication is recommended for these areas such as Polywater® LZ Universal Cable Pulling Lube. When cables are laid in trays, pulled over rollers and sheaves, or directly buried, lubrication is not required.

5.7. Electrical Circuit Integrity System

Electrical Circuit Integrity Systems consist of specific components evaluated for circuit integrity as a system through fire exposure and hose stream impact testing, described in UL 2196. Specifications for the protective system and its assembly are important for the systems fire rating and apply to the system; not individual components. See system specifications described in the *Electrical Circuit Integrity System (FHIT) No. 50*.

Authorities having jurisdiction should be consulted in all cases as to the specific requirements covering the installation and use of these classified systems. The Lifeline MC and MC LSZH Cable is rated for 480 volts (conductor to conductor) when used as a 2-hour fire resistive cable. The Lifeline MC and MC LSZH splice is rated for 480 volts (conductor to conductor) when used as a 1-hour fire resistive system. For further installation instruction on the Lifeline MC splice please see *Technical Information Sheet (TIS) #402: Installation Instructions for Lifeline® MC Cable Splice Using Ceramic Standoffs*.

5.8. Open Runs/Installation of Cable in Free Air

Code compliant fire resistive installations supports and hardware shall be in accordance with Electrical Circuit Integrity System FHIT 50 requirements. For non-fire-resistive installations support spacing may be per the NEC.

5.9. Cable Trays

Cable trays shall be suitable in strength and rigidity to support all contained wiring. Each run of cable tray needs to be completed before the installation of cables. Supports shall be used at the entrance to raceways or other enclosures from cable tray systems. Tray supports should be 48 inches on center maximum. Tray supports and tray should be suitable for possible fire conditions. In other than horizontal runs, the cables shall be fastened securely to transverse members of the cable trays. Multiconductor cables can be installed in random configuration. For ampacity considerations, it is suggested that cables be installed in a single layer and spaced a minimum of one cable diameter apart. Cable Trays shall be exposed and accessible as permitted by the NEC. Sufficient space shall be provided and maintained about cable trays to permit adequate access for installing and maintaining the cables. Cable trays should be suitably grounded.

5. INSTALLATION (cont)

5.10. Installation in Cable Trays

The entire path that cable will follow during pulling should be checked to make sure that cable will ride free and clear all obstructions, sharp edges or projections which might cause it to jam or be damaged. In making this check, allowance must be made for the position cable will assume when under tension and allowed to go slack. It is recommended that personnel be positioned at corners and periodically along the route of cable tray to assist in hand feeding.

In straight runs a sufficient number of rollers should be used to stop the cable dragging on the tray. Sharp bends should be avoided by using sheaves assembled so that the effective cable bend radius conforms to the contour of the tray bend. Cable tray manufacturers may recommend the number, type, and location of the sheaves and rollers as well as instructions for their application.

Cables should be properly spaced for ampacity concerns.

Cables should be segregated by voltage level (such as medium voltage and low voltage cables) and separated by function (e.g. power and instrument cables should be installed in separate trays).

During installation, temporary tray edging should be used to protect cable. If cable is installed and rests on the side rail, a permanent tray edging should be installed. Material used for tray edging should be fire retardant, have a large surface area, be compatible with the installation, and have a suitable temperature rating.

Cables installed in trays having an expansion gap or fitting (to accommodate differential movement) should be placed in tray in such a manner that a slack section of cable is present. The expansion gap allows for free movement of the trays without damage to the cable. The cables should not be tied down within five feet of each side of the gap.

5.11. In Concrete

Lifeline MC LSZH Jacketed products may be installed in concrete or earth. Minimum burial depth should be in accordance with Table 300.5 of NEC.

5.12. Cable Splices

A one-hour UL Classified fire resistive splice is available for Lifeline MC and Lifeline MC LSZH Cable. Installation of the splice and components selected must be in accordance with *Technical Information Sheet (TIS) # 402 - Installation Instructions for Lifeline MC Cable Splice Using Ceramic Standoffs*.

5.13. Other Installations

For guidance regarding other installation contact the Lifeline team at Prysmian Cables & Systems (US) Inc. (800) 333-4248 x2600.

6. POST INSTALLATION

This section provides general information on activities such as cable terminating, splicing, and testing.

6.1. General

A sufficient length of cable should be removed from the pulling end to ensure adequate length of undamaged cable is available for termination. Cable(s) should be identified with nonconductive tags on both ends of installation. Cable slack should be provided at transition points between non-connecting support structures such as trays or raceways, and equipment. A sufficient length of cable core should be pulled into equipment, panels and boxes to permit efficient arrangement of conductors and compliance with the following:

- Cable should be trained into final installation position without violating the minimum bending radius.
- Minimum required separation distance is maintained.

6.2. Terminating Lifeline MC at Electrical Switch Gear/Equipment

A junction box is optional on either end of the fire rated cable in the fire rated room as follows:

1. Once cable enters the fire rated room, a minimum of 12 inches, terminate Lifeline MC Cable into appropriate size junction box in accordance with NEC. Use any listed MC connector suitable for a corrugated copper sheath, a listed lock nut and insulating bushing to terminate the cable to the box. Connector should be suitably grounded. Equipment grounding conductors should be carried through and maintained as required. Utilize a grounding hub as required.
2. Using the appropriate raceway for the specified area, connect the junction box to the equipment.
3. Install appropriate wiring between the junction box and the equipment.
4. Splice Lifeline MC to the wire using an approved method. Note a transition splice may be required based on ampacity considerations.
5. Seal the end of the raceway in the junction box to keep gases from migrating down into the equipment in the case of a fire. This may be done using a pliable compound.

Note 1: All wiring methods and installation procedures shall comply with NEC and local amendments.

Note 2: NEC Article 110.14 should be considered regarding the temperature limit of the wiring to the equipment. The Lifeline MC cable may be sized at 90°C.

6.3. Cable Terminating

General procedures for terminating are provided below. Be advised that Prysmian Group is not responsible for the effectiveness of a termination or splice because it has no control over the fabrication of these items. The environment should be clean and dry. Tools should be in good working order and used for the intended purpose. Terminating materials must be high quality and be compatible with the cable. As shown in the following section, remove the outer jacket (if present) and armor from the end of the cable a sufficient distance to allow separation of the conductors, provide the necessary length to connect to the equipment being used, and provide the necessary termination creepage distance. Any underlying tapes and fillers should then be removed.

- In removing this material, care should be taken not to damage any underlying layer, particularly the cable insulation.
- Install the connector per manufacturer's instructions. Connections to enclosures should be with connectors approved for use with copper metal clad cable in the environment that it is installed.
- Generally, a seal should not be applied around the connector. Contact the Prysmian Engineering Department for further information.

6. POST INSTALLATION (cont)

6.3. Cable Terminating (cont)

- Strip the insulation from each conductor for a distance equal to the depth of the terminal lug plus 1/4 inch. Care should be taken to avoid cutting, nicking, or scoring of the conductor strands.
- Apply compression terminal lugs or connectors per manufacturer instructions. When using a compression connector, a calibrated, properly sized compression tool should be used.
- Insulate the applied terminal lug with a shrinkable insulating sleeve or tape. The sleeve or tape should be of sufficient length after application to cover the connector barrel and at least 2 inches of the conductor insulation.
- Properly terminate and ground the armor of the cable if that function is not provided by the connector.
- Utilize an insulating bushing to protect the conductors in enclosures, boxes, etc.
- Use proper hardware and tightening torque to connect the terminal lugs.

6.3.1. Jacket Removal

1. Measure length of jacket to be removed from end of cable and mark the position. With a sharp knife score around jacket (Figure 9a).
2. Starting at end of cable, make a cut all the way through jacket to armor for about 1 inch of length. Then continue to score at approximately half the thickness of jacket to mark made in Step 1 (Figure 9b).
3. Using pliers, peel back jacket, starting at end of cable. Move along the longitudinal score mark made in Step 2 until reaching the score mark made in Step 1 (Figure 10).



Figure 9a



Figure 9b



Figure 10

6. POST INSTALLATION (cont)

6.3.2. Armor Removal

1. Mark where armor is to be cut. Use a tubing cutter capable of cutting copper. Adjust cutting wheel to meet crest of corrugation. Roll backwards and forwards in ever increasing arcs while tightening the cutter knob. Once a 360° track has been made rotate cutter 360° while tightening knob until armor is cut through (Figure 11).
2. Rotate the armor back and forth slightly to check if armor has been cut through completely. If required, flex cable to assist in separating armor (Figure 12).
3. Keep rotating the armor back and forth while removing the armor. Be careful not to tangle the filler cord. When present, remove tape and filler cord (Figure 13).



6.3.3. Inner Binder Jacket Removal

1. Mark where the jacket is to be cut. Using a knife, cut through binder jacket at very end of cable. Cut through about 1 inch in length. The length of free conductor should be given per NEC. To avoid damaging insulation cut only half the jacket thickness (Figure 14).
2. Pull apart the cut binder jacket and peel back to expose the conductors. Carefully begin cutting binder jacket down length of the cable while pulling binder jacket away from conductors. Be careful not to cut insulation (Figure 15).
3. At the end of longitudinal cut, cut binder jacket circumferentially. Pull away the binder jacket. Inspect the insulation for any damage (Figure 16).



6.4. Cable Test

After installation and prior to energizing, insulated cable should be tested in accordance with local required procedures.

Prysmian Group

Linking the future

Prysmian Group

4 Tesseneer Drive | Highland Heights, KY 41076
156 Parkshore Drive | Brampton, Ontario L6T 5M1

Sales and Distribution

22 Joseph E. Warner Blvd. | North Dighton, MA 02764 | +1-508-822-5444 | website: na.prysmiangroup.com/lifeline

